

Address:  
 BLOCK 1, DEHUINA INDUSTRIAL DISTRICT,  
 MINGZHI RD LONGHUA, SHENZHEN,  
 GUANGDONG, CHINA 518131

TEL: (86) 755-8192552 8190943  
 FAX: (86) 755-8192557  
 E-mail: szwwiner@public.szptt.net.cn  
 HOME PAGE://www.globalsources.com/hornmic.co


**CUSTOMER: Digi-Key Corporation**

**APPROVE SHEET**

PRODUCT NAME	TYPE	DIMENSION	
Electret Condenser Microphone	EM9465P-44	Ø9.4×6.5(mm)	PIN TYPE

APPROVED : 李 军                      DATE: 2000.11.25

CHECKED BY: 陈 斌                      DATE: 2000.11.25

ISSUED BY: 陈 为 波                      DATE: 

**APPROVED BY**

**DATE:**

Address:  
 BLOCK 1, DEHUINA INDUSTRIAL DISTRICT,  
 MINGZHI RD LONGHUA, SHENZHEN,  
 GUANGDONG, CHINA 518131

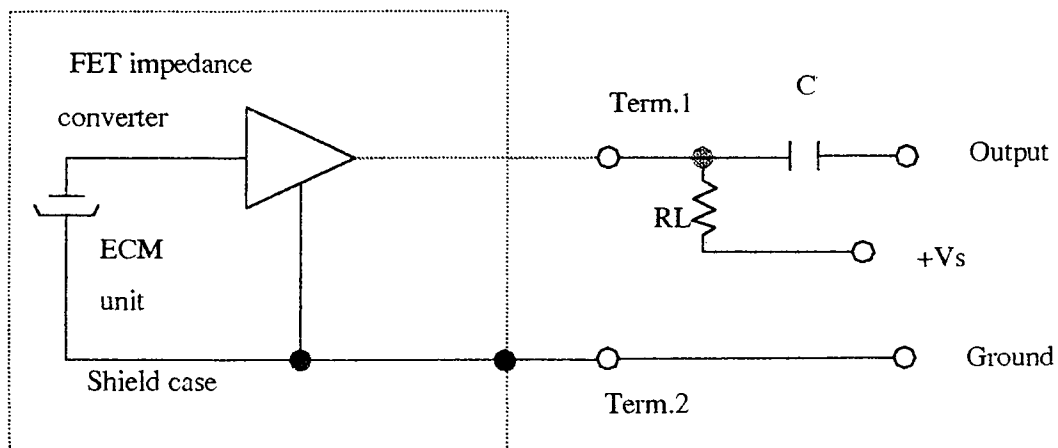
TEL: (86) 755-8192552 8190943  
 FAX: (86) 755-8192557  
 E-mail: szwwiner@public.szptt.net.cn  
 HOME PAGE://www.globalsources.com/hornmic.co

## SPECIFICATION

Item	Symbol	Test conditions	Min	Standard	Max	Unit
Sensitivity	S	f=1KHz. Pin=1pa	-46	-44	-42	dB GdB=1V/pa
Directivity	Omnidirectional					
Impedance	Zout				2.2	KΩ
Current consumption	I	f=1KHz. Pin=1pa			500	uA
Sensitivity reduction	ΔS	f=1KHz. Pin=1pa. Vs=4.5→1.5V			-3	dB
S/N ratio	S/N(A)	f=1KHz. Pin=1pa. A=curve	60			dB

### Measurement Circuit (Test Condition Vs=4.5V RL=2.2KΩ

Ta=20°C R.H=65%)

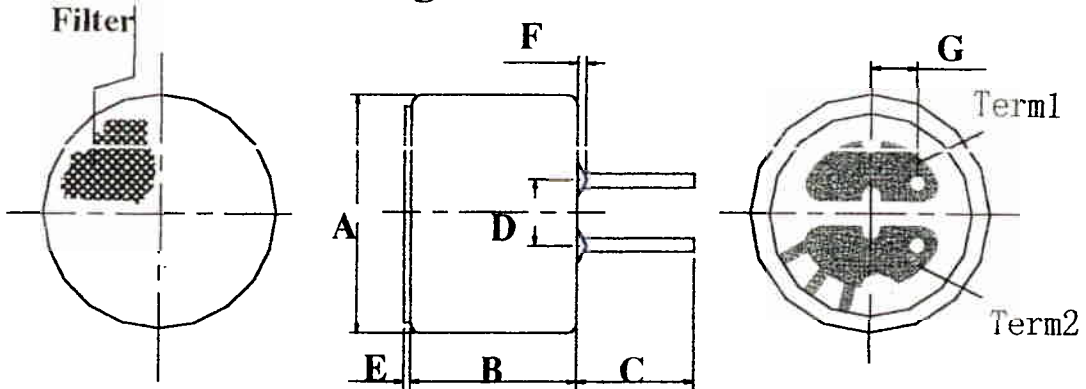


Address:  
BLOCK 1, DEHUINA INDUSTRIAL DISTRICT,  
MINGZHI RD LONGHUA, SHENZHEN,  
GUANGDONG, CHINA 518131

TEL: (86) 755-8192552 8190943  
FAX: (86) 755-8192557  
E-mail: szwwiner@public.szptt.net.cn  
HOME PAGE://www.globalsources.com/hornmic.co

## Dimensional Drawing

unit: mm



PART	MIN	TYPE	MAX	REMARK
A	Ø9.2	Ø9.4	Ø9.6	
B	6.3	6.5	6.7	
C	4	5	6	
D	-	2.54	-	
E	-	-	0.2	
F	-	-	0.8	
G	1.8	2	2.2	

## Typical Frequency Response Curve

